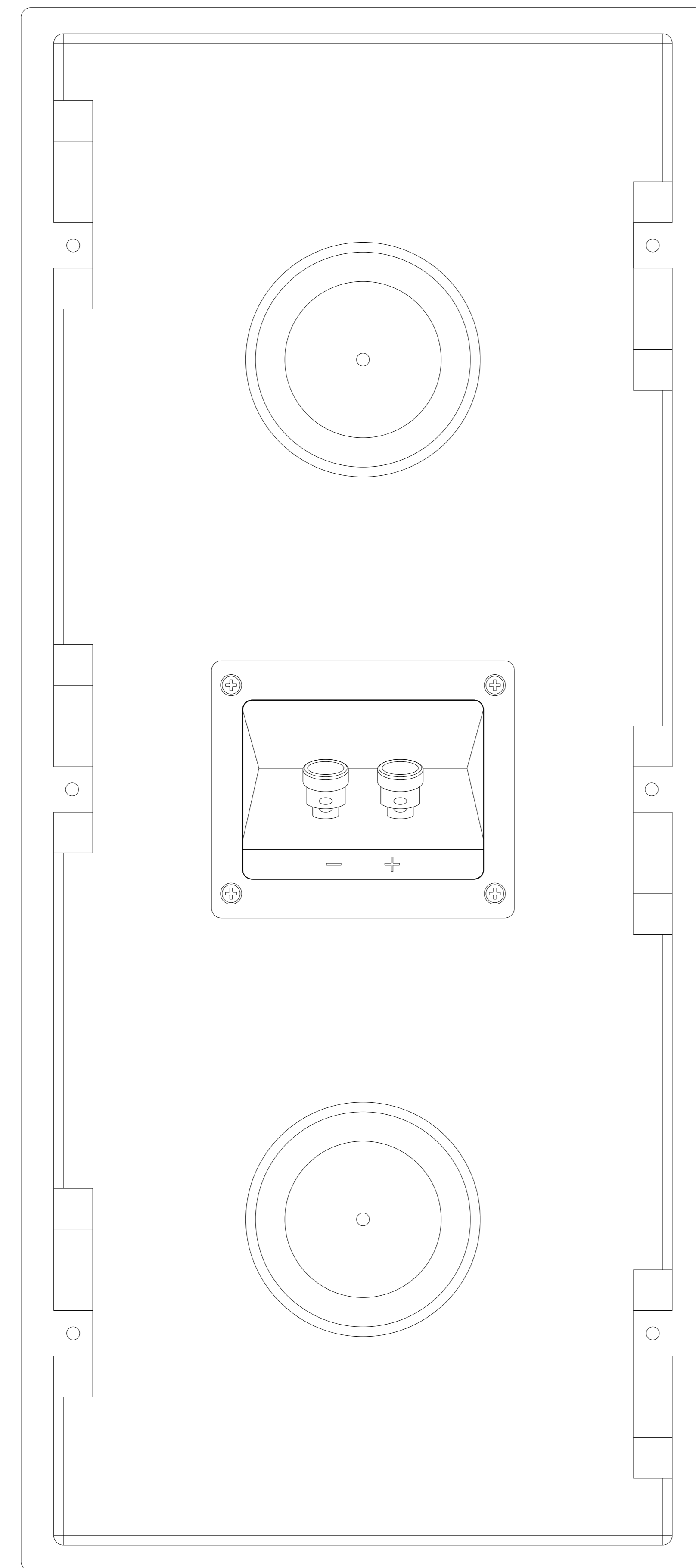
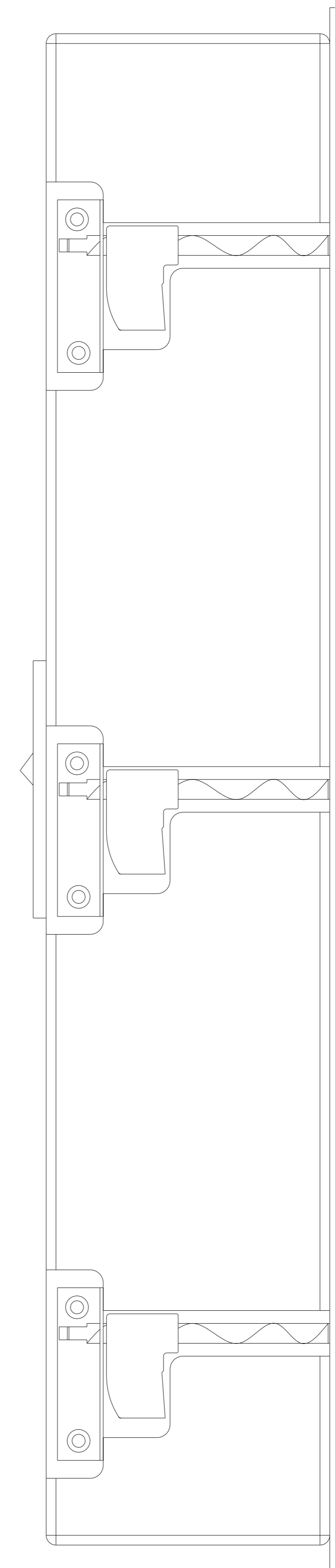


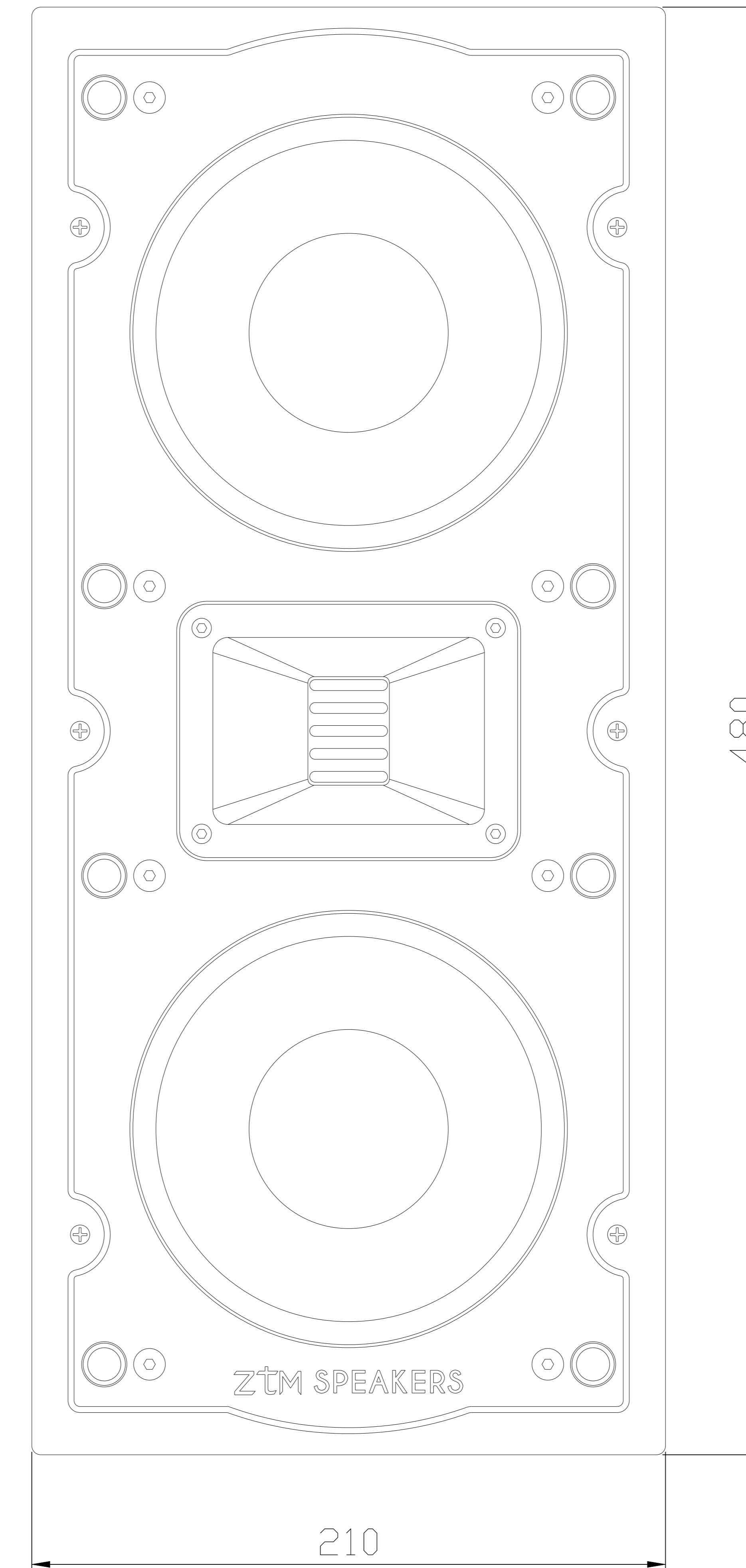
Top



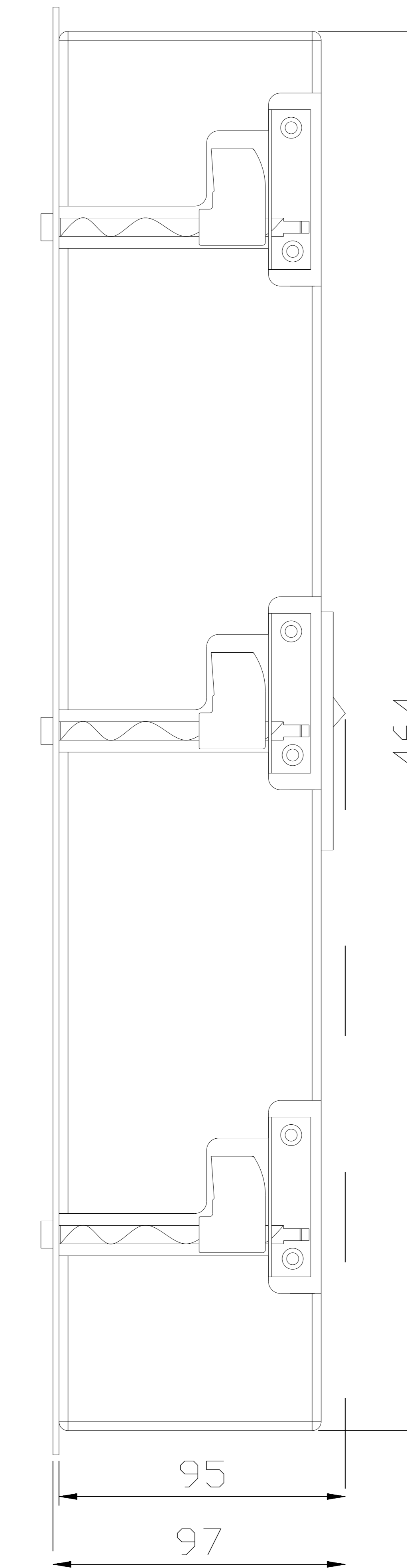
Back



Left



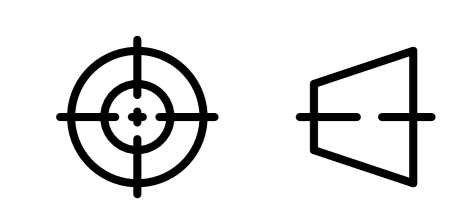
Front



Right



Bottom



Scale: %
Unit:mm

Appendix:ISO-A series paper(mm)
A4-297*210 A1-841*594
A3-420*297 A0-1189*841
A2-594*420 2A0-1682*1189

MATERIAL

DATE: 2018.9.1

VERSION V2.2

TITLE

Dimension drawing - C4290-A



SOLTON ACOUSTIC

www.ztmspeakers.de

Gewerbering 51 • D-94060 Pocking • Germany

ztmspeakers@163.com